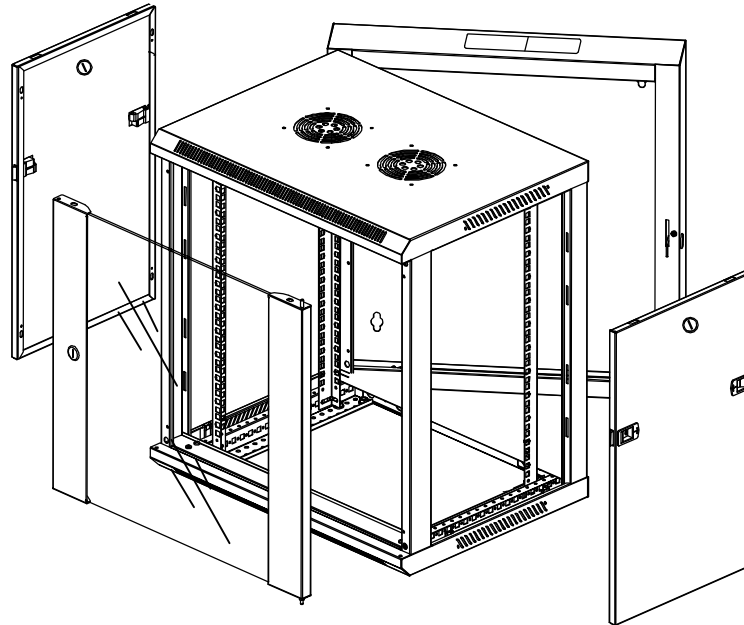


A-A Section



Part No.	RU	Width (mm)	Depth (mm)	Height (mm)
RM-550-9U	9	600	550	500
RM-550-12U	12	600	550	635
RM-550-15U	15	600	550	770